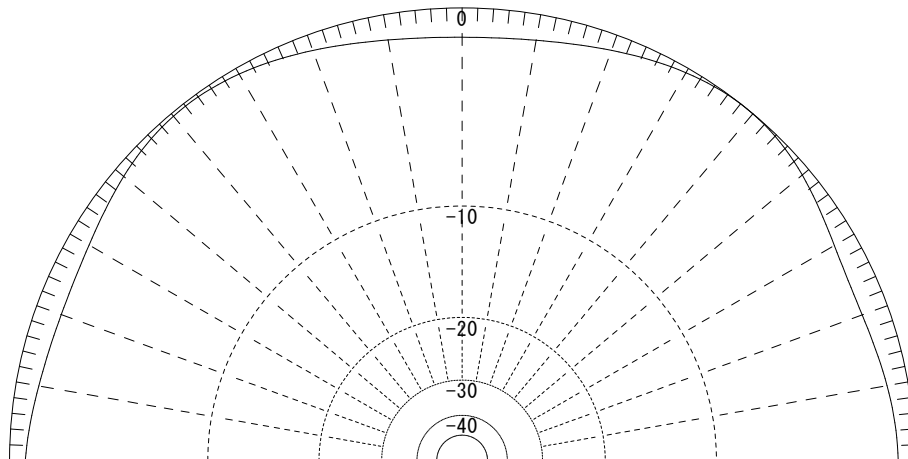
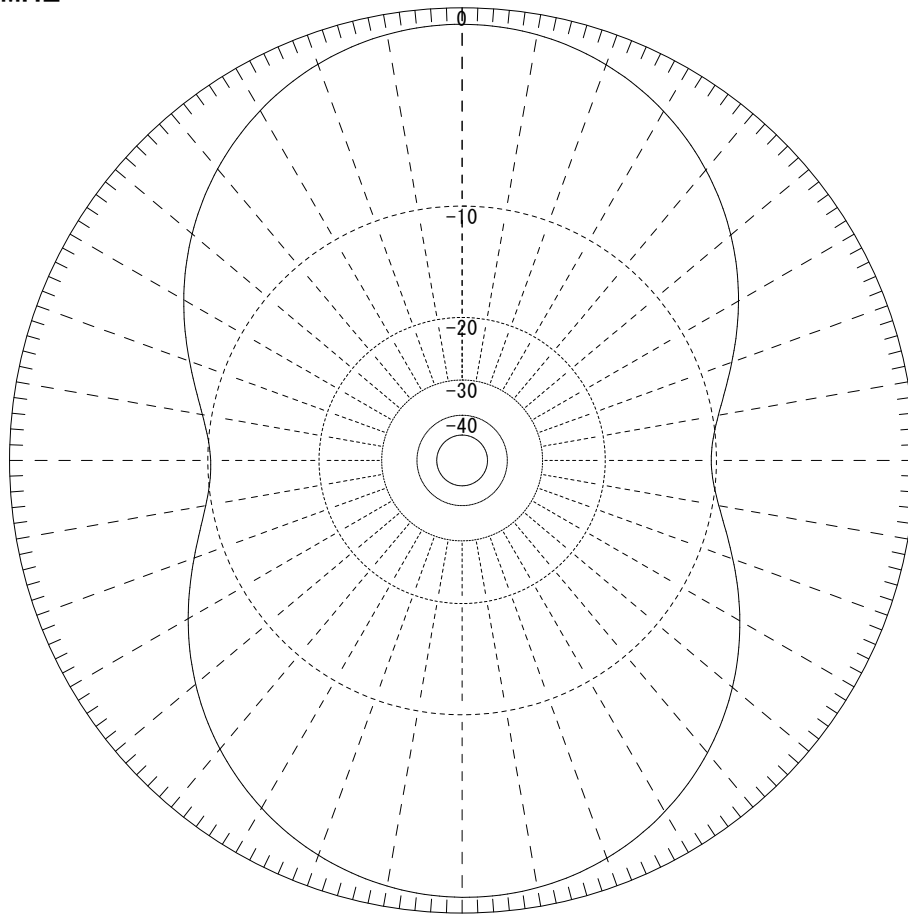


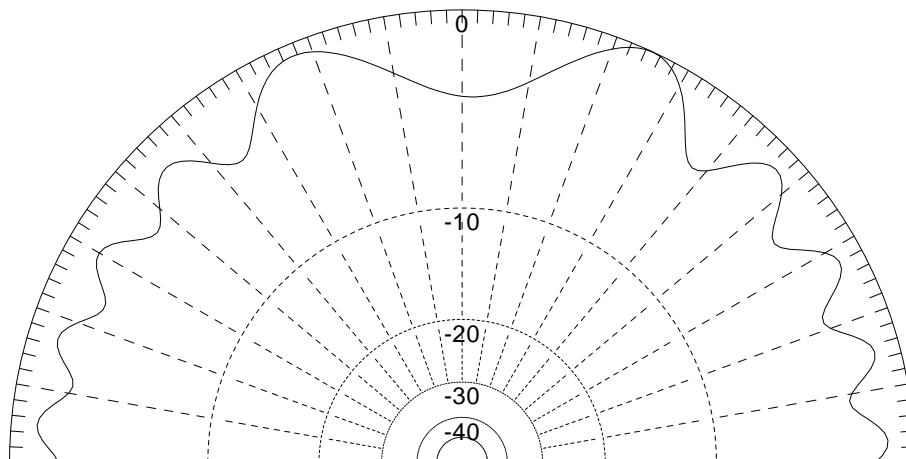
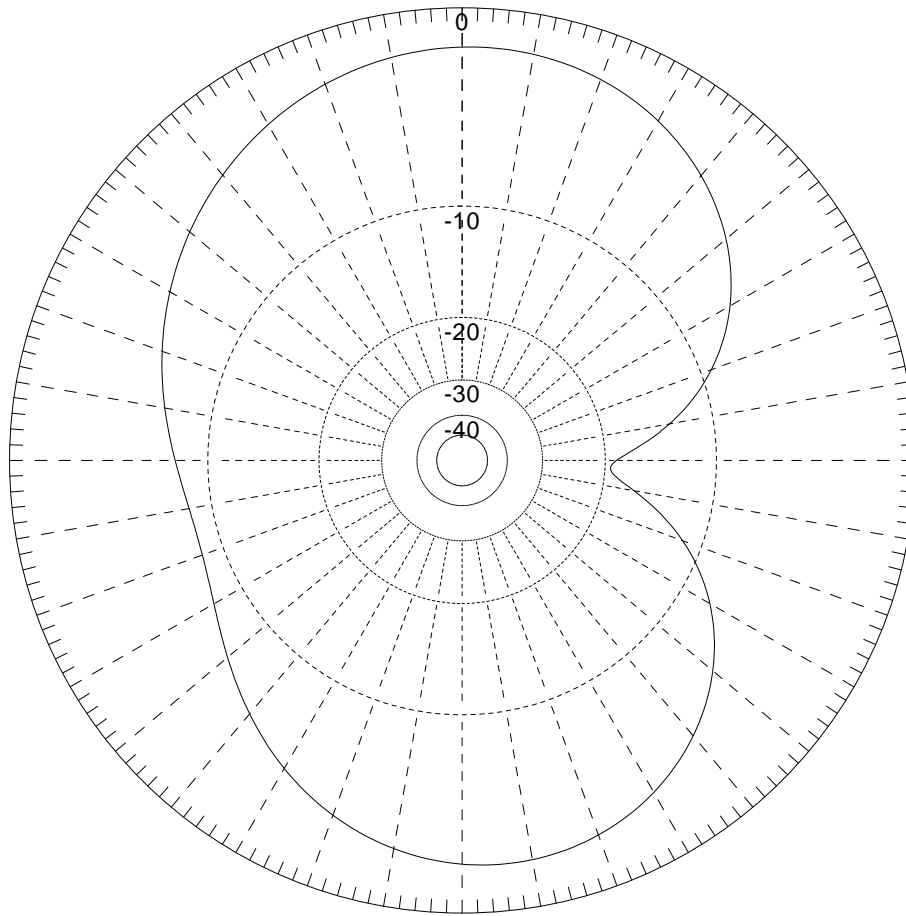
RSP-00 145.9MHz



Ga :5.54 (dBi) = 0dB (水平偏波)
Gh :3.39 (dBd)
F/B :-0.53 (dB) 後方:水平120° 垂直60°
Freq:145.900 (MHz)
Z :37.263-j0.291
SWR :1.34 (50.0Ω) 16.10 (600Ω)
仰角:51.2° (自由空間)
(水平パターンの仰角:0.0° Peak:4.43dBi)

MMANA-GAL basic v. 3.0.0.31

RSP-00 437.0MHz



Ga : 2.74 dBi = 0 dB (Horizontal polarization)
Gh : 0.59 dBd
F/B: -0.55 dB; Rear: Azim. 120 deg, Elev. 60 deg
Freq: 437.000 MHz
Z: 46.984 + j0.763 Ohm
SWR: 1.1 (50.0 Ohm),
Elev: 65.1 deg (Free space)
(For elev. angle 0.0 dg Peak:0.8 dBi)